

Karofi 5 Stage Reverse Osmosis System



Product Catalogue



KAROFI 5 STAGES RO (RO-30&RO-406)
SPECIFICATIONS

TEMPERATURE: 40°C/ 2°C

TDS: 1000* ppm

INLET PRESSURE: 45 PSI (3BAR)

MEMBRANE SIZE: 1812 x 1

MEMBRANE PRODUCTION: 75 GPD/ 45% recovery

**DIMENSIONS(mm): RO30 (370x210x460) / RO406
(370x125x415)**

**PUMP: Booster Pump / 100- 240 VAC, 50/60Hz; 24VDC,
1.5A POWER SUPPLY: 100-240 Vac 50/60 Hz: 24Vdc. 5A ≈
120W FUNCTION FILTER - T33: 100% COCONUT-
ACTIVATED**

**CARBON - Stabilize the natural sweetness of the water,
making PH balance**

RO-30	5 Stages RO Water Purifier with pump
RO - 406	5 Stages RO Water Purifier

RO-30



High Quality Pre Filter set



Water Tank



Accessories



Drain Saddle



Quality Booster Pump



**Durable
RO Membrane**



RO-406



High Quality Pre Filter set



Water Tank



Accessories

Drain Saddle



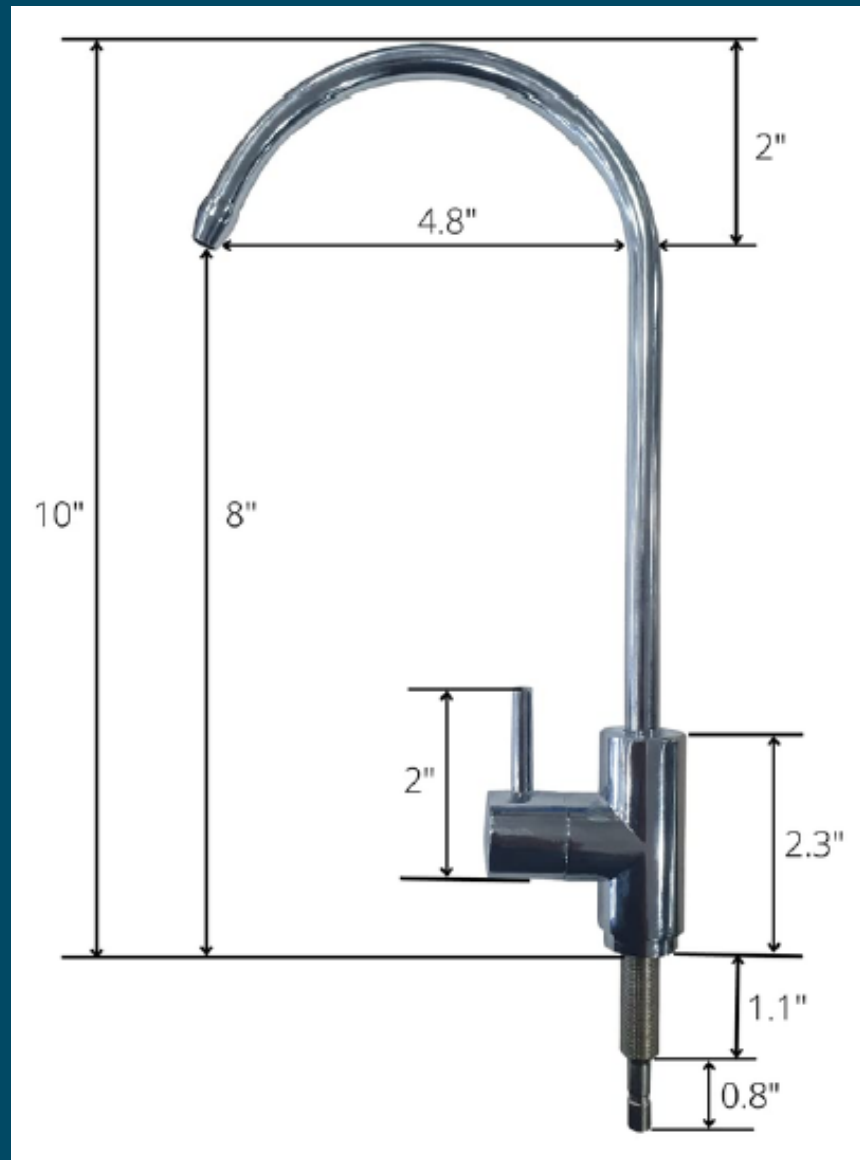
Quality Facet



**Durable
RO Membrane**

Equipped Facet

- Stainless Steel
- Heavy Duty
- 5" x 12"
- 10 oz



***Note:**
Check your
countertops'
thickness to
ensure it fits te
faucet



+27 62 375 5088



+27 65 321 5803



<https://www.thewatersolarcompany.co.za/>



<https://maps.app.goo.gl/MBR2LMW3T6f9TtHV9>



<https://www.facebook.com/watersolarcompany>



<https://www.youtube.com/@TheWaterSolarCompany/>



<https://www.instagram.com/watersolarcompany2023/>