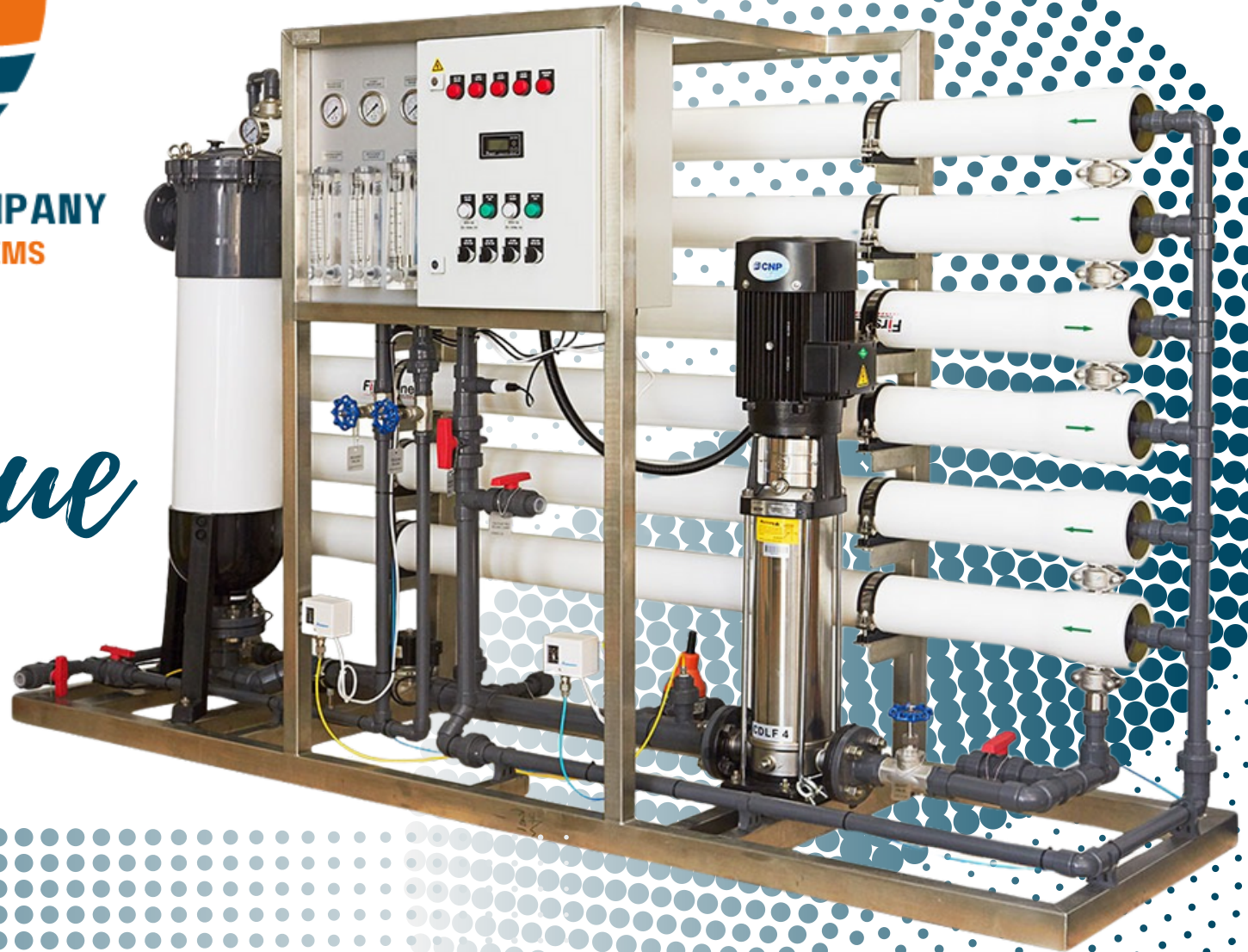


# REVERSE OSMOSIS SYSTEM LPRO-B16-18000



*Catalogue*



# LPRO-B16-18000

## System Overview

- **Production: 3m<sup>3</sup>/hr (72m<sup>3</sup>/day)**
- **Membranes: 4040 x 12**
- **Feed TDS range: ≤ 2000ppm with standard membrane**
- **Typical salt rejection: 95 - 99%**
- **Power supply: 380V 50Hz Three phase**

## Instrumentation

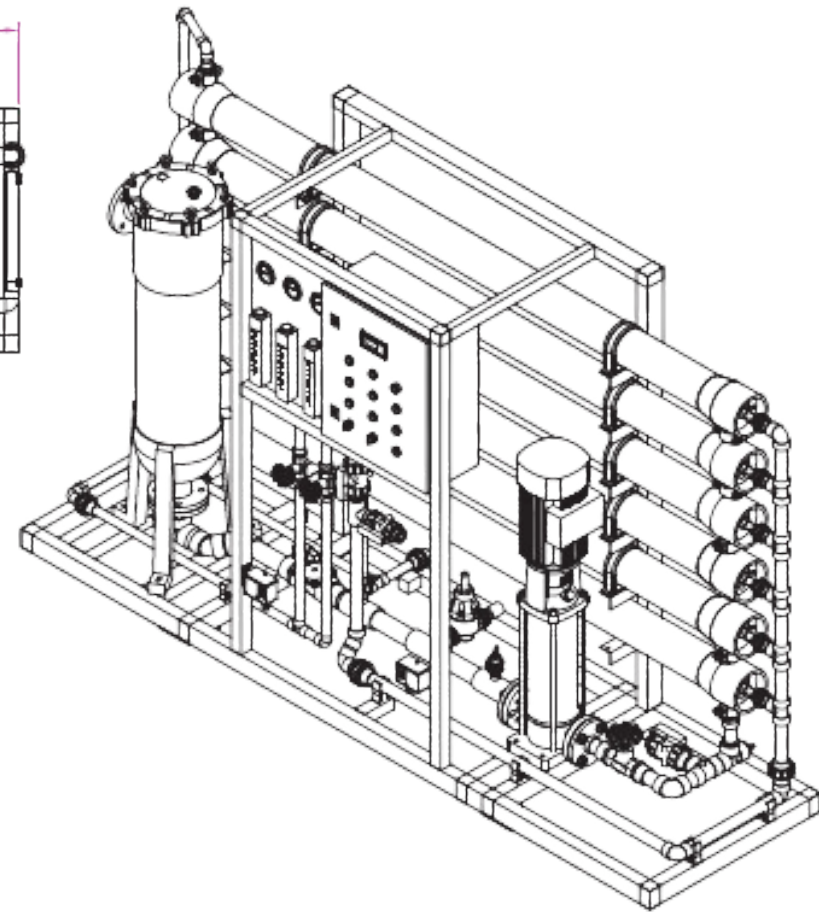
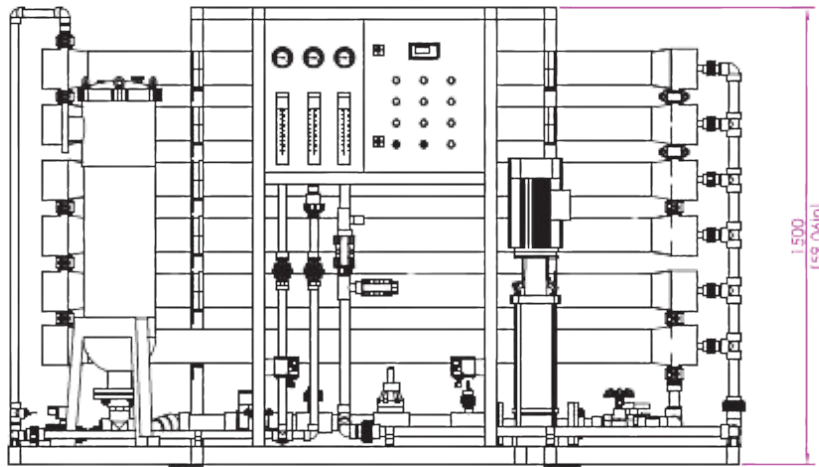
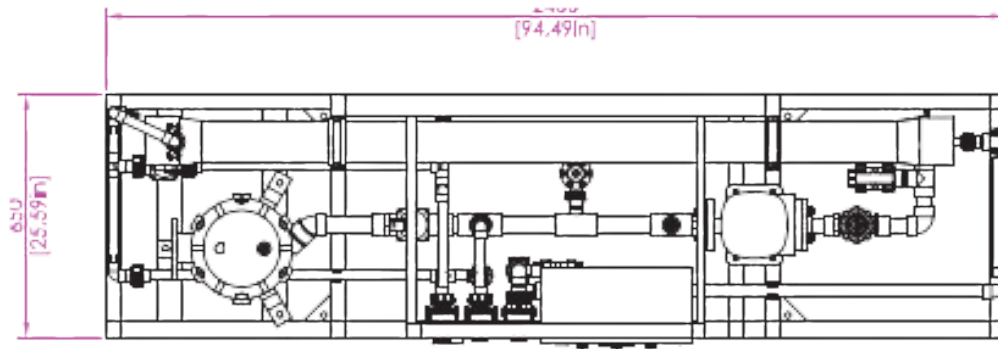
- **Conductivity: Permeate**
- **Flow meters: Permeate, brine, brine recycle**
- **Pressure gauges: Pre & Post filter, Pre & Post membranes**
- **Pressure switches: Low pressure & high pressure**

## Material Of Construction

- **Frame Work: SS304**
- **Low pressure piping: UPVC Class 16**
- **High pressure piping: UPVC Class 16**
- **Pressure vessels: FRP 300psi**
- **Pumps: SS304**
- **Control Box: Mild steel epoxy coated**
- **Pre-filter housings: Double length PVC bag filter**

## Feed Water Conditions

- **Temperature: 5 - 35 ° C**
- **TDS: ≤ 2000ppm with standard membrane**
- **SDI: < 5**
- **pH: 4 - 9**
- **Free Chlorine: Undetectable**
- **Iron: < 0.1ppm**
- **Manganese: < 0.05 ppm**



CRATED DIMENSION L (MM) *W (MM)* H(MM)	CRATED VOLUME (CUBIC METER)	GROSS WEIGHT (KG)	SYSTEM DIMENSION L (MM) *W (MM)* H(MM)	NET WEIGHT (KG)
2460*760*1680	3.14	355	2400*650*1500	235

**\*Specifications and dimensions subject to change**

**\*Permeate flows are maximums and may vary depending on feed water conditions**



+27 62 375 5088



+27 65 321 5803



<https://www.thewatersolarcompany.co.za/>



<https://maps.app.goo.gl/MBR2LMW3T6f9TtHV9>



<https://www.facebook.com/watersolarcompany>



<https://www.youtube.com/@TheWaterSolarCompany/>



<https://www.instagram.com/watersolarcompany2023/>