



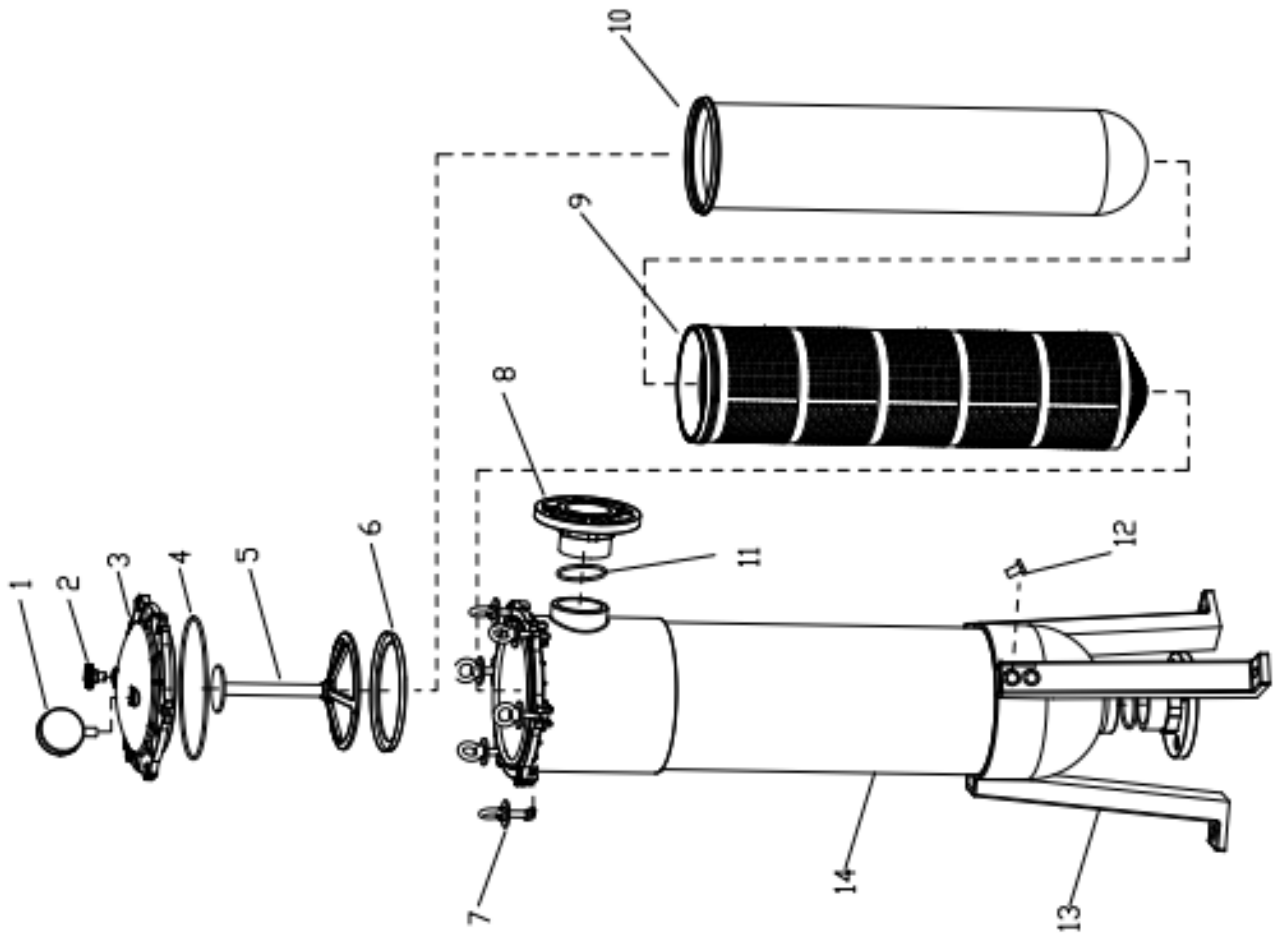
PRODUCT CATALOGUE

Bag Filter housing Stainless Steel

SPECIFICATIONS

- **Length: 30inch**
- **Rounds: 7**
- **Material: SS316L**
- **Closure type: V-clamp**
- **Wall thickness: 1.5mm**
- **Outside surface treatment: Sandblasting**
- **Inside surface treatment: Acid passivation**
- **Level: Standard**
- **Design pressure: 10bar**
- **Operation pressure: 6bar**
- **MAX operation temperature: 120°C**





NO	Name	Quantity
01	Pressure gauge	1
02	Air release valve	1
03	Top flange cap	1
04	O-ring for cap	1
05	Spacer plate	1
06	Retaining ring	1
07	Swing bolts	6
08	Flanges(in/out)	2
09	Bedket	1
10	Filter bag	1
11	O-ring for flange (in/out)	2
12	Screws for leg	6
13	Support leg	3
14	Shell	1

2	2017.2.11	
Version N.O	Description	
APPR.	COMF.	DESIGN DWG.
NAME		HXP-1-B-
DWG NO.		
		SCALE
		Date



+27 62 375 5088



+27 65 321 5803



<https://www.thewatersolarcompany.co.za/>



<https://maps.app.goo.gl/MBR2LMW3T6f9TtHV9>



<https://www.facebook.com/watersolarcompany>



<https://www.youtube.com/@TheWaterSolarCompany/>



<https://www.instagram.com/watersolarcompany2023/>