



Product Catalogue

HCPF MULTI CARTRIDGE HOUSING

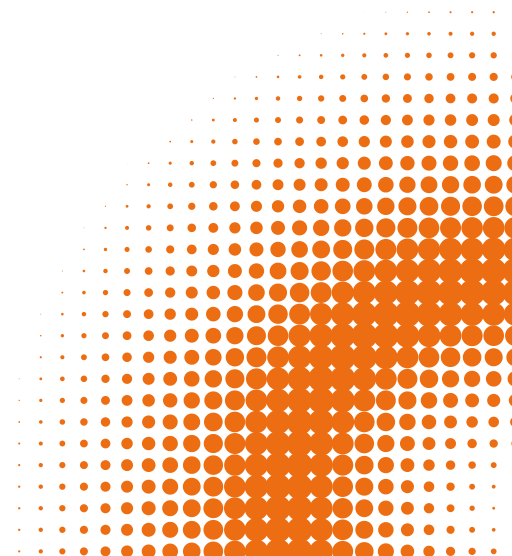


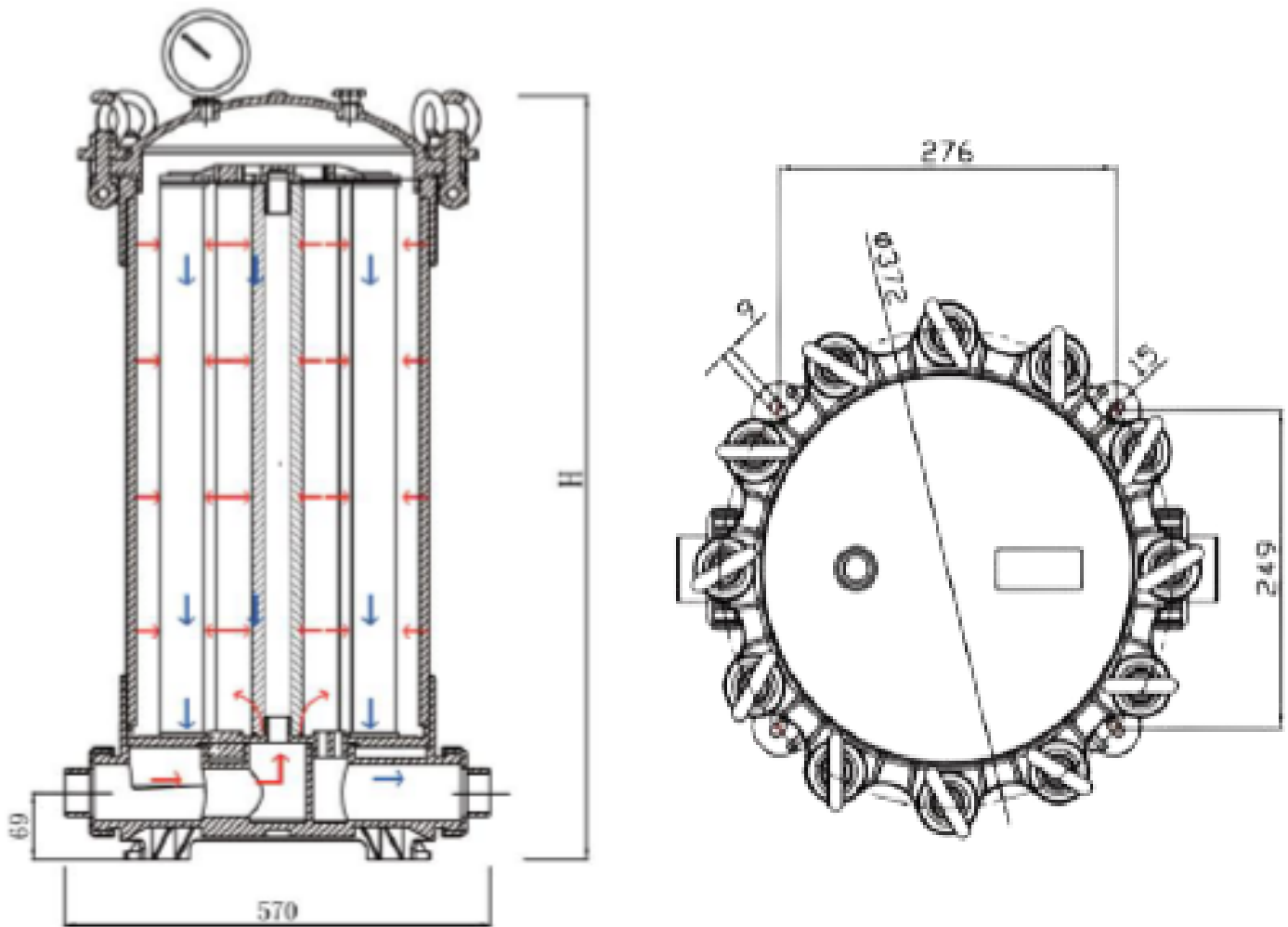
HPCF cartridge filter housings are primarily utilized in the pre-treatment of RO feed water, treating Brackish Water, Acidic water, and for color removal (with pleated membrane cartridges).

This option is ideal for scenarios where the flow rates exceed the capacity of Big Blue Cartridge Housings.

SPECIFICATIONS

- Material :** UPVC
- Max Pressure:** 6 Bar
- Max Pressure :** 1.4 Bar
- Drop Temperature:** 4 - 40°C





Model	Qty & Size of Cartridges	In / out Ports	Physical Size (mm)	Max Flowrate (m ³ /h)
HPCF-5DC2	5 x 20"	50mm Socket	Ø225-H715	~4.5
HPCF-5DC3	5 x 30"	50mm Socket	Ø225-H965	~7
HPCF-5DC4	5 x 40"	50mm Socket	Ø225-H1215	~8



+27 62 375 5088



+27 65 321 5803



<https://www.thewatersolarcompany.co.za/>



<https://maps.app.goo.gl/MBR2LMW3T6f9TtHV9>



<https://www.facebook.com/watersolarcompany>



<https://www.youtube.com/@TheWaterSolarCompany/>



<https://www.instagram.com/watersolarcompany2023/>