

# SEKO Dosing Pump TPR Series

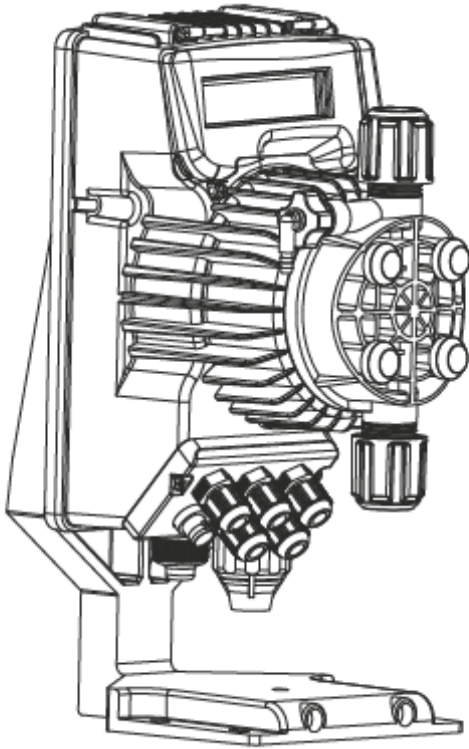


## Product Catalogue

## DOSING PUMP

### TEKNA TPR Series – Solenoid Dosing Pump

#### TECHNICAL CHARACTERISTICS



- Flow rates: from 0.4 to 110 l/h
- Max back pressure: up to 20 bar
- Power supply: 100÷240Vac - 50/60 Hz
- Stroke rate: from 120 to 300 strokes/minute
- Pump head: PVDF
- Diaphragm: PTFE
- External Enclosure: PP reinforced with fiber glass protection degree IP65
- Manually priming valve
- Installation kit: Included

The Seko Tekna TPR Series is a digital dosing pump equipped with a built-in pH/Redox control meter. Some of its key features include:

- Constant or proportional dosing according to the measured pH or Redox value
- PT100 probe input for thermal compensation
- Repetition alarm relay
- Input On-Off for remote control
- 4÷20 mA output for measure transmission

# KEY CODE

TPR Constant flow rate manually adjustable. Proportional dosing according the measured pH or Redox value. PT100 probe input for thermal compensation. Repetition alarm relay. Input On-Off for remote control. 4÷20 mA output for measure transmission. Available with communication via ModBus protocol.

<b>hydraulics</b>	Pressure [bar]	Flow rate [l/h]	Capacity [cc/stroke]	Frequency [stroke/1']	Ø Connections IN / EXT [mm]
500	20	0,4	0,06	120	4 / 7 discharge 4 / 6 suction
	16	0,8	0,11		
	10	1,2	0,17		
	6	1,5	0,21		
600	20	2,5	0,35	120	4 / 7 discharge 4 / 6 suction
	18	3	0,42		
	14	4,2	0,58		
	8	7	0,97		
603	12	4	0,42	160	4 / 6
	10	5	0,52		
	8	6	0,63		
	2	8	0,83		
800	16	7	0,38	300	4 / 6
	10	10	0,55		
	5	15	0,83		
	1	18	1,00		
803	5	20	1,11	300	8 / 12
	4	32	1,78		
	2	62	3,44		
	0,1	110	6,11		

## power supply

N 100÷240 Vac 50/60 Hz

## liquid end

H	PVDF	
A	PVDF - automatic degassing	NOT for 803 hydraulic
I	SS316L	

## installation kit

H	PVDF	
P	PVDF-T	
X	with 1,5 bar injection valve	
0	WITHOUT kit	only for SS316L liquid end

## seals

0	FKM-B	
1	EPDM	
2	PTFE	
3	FFKM	NOT for 803 hydraulic - kit with PTFE seals

## optional

0 standard

## optional / customization

00 standard

TPR 800 N A H 0 0 00

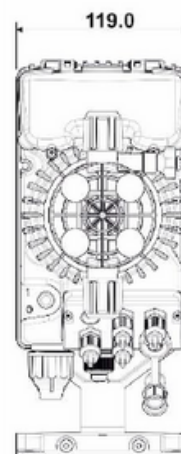
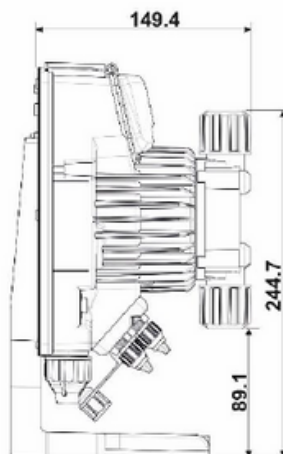
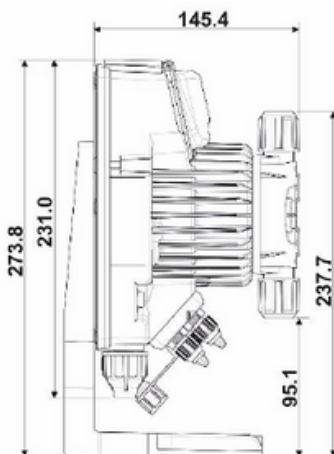
# HYDRAULIC CHARACTERISTICS

Pump model	Pressure [bar]	Flow Rate [l/h]	Frequency max [stroke/min]	Stroke capacity [cc/stroke]	Connection [mm]		Power supply	Consumption [W]	
					Suction	Discharge		Min	Max
TPR500N	20	0,4	120	0,06	4/6	4/7	100÷240 Vac	-	-
	16	0,8		0,11					
	10	1,2		0,17					
	6	1,5		0,21					
TPR600N	20	2,5	120	0,35	4/6	4/7	100÷240 Vac	14,0	20,0
	18	3,0		0,42					
	14	4,2		0,58					
	8	7,0		0,97					
TPR603N	12	4,0	160	0,42	4/6	4/6	100÷240 Vac	15,0	22,0
	10	5,0		0,52					
	8	6,0		0,63					
	2	8,0		0,83					
TPR800N	16	7,0	300	0,39	4/6	4/6	100÷240 Vac	22,0	36,0
	10	10,0		0,56					
	5	15,0		0,83					
	1	18,0		1,00					
TPR803N	5	20,0	300	1,11	8/12	8/12	100÷240 Vac	-	-
	4	32,0		1,78					
	2	62,0		3,44					
	0,1	110,0		6,11					

# DIMENSIONS

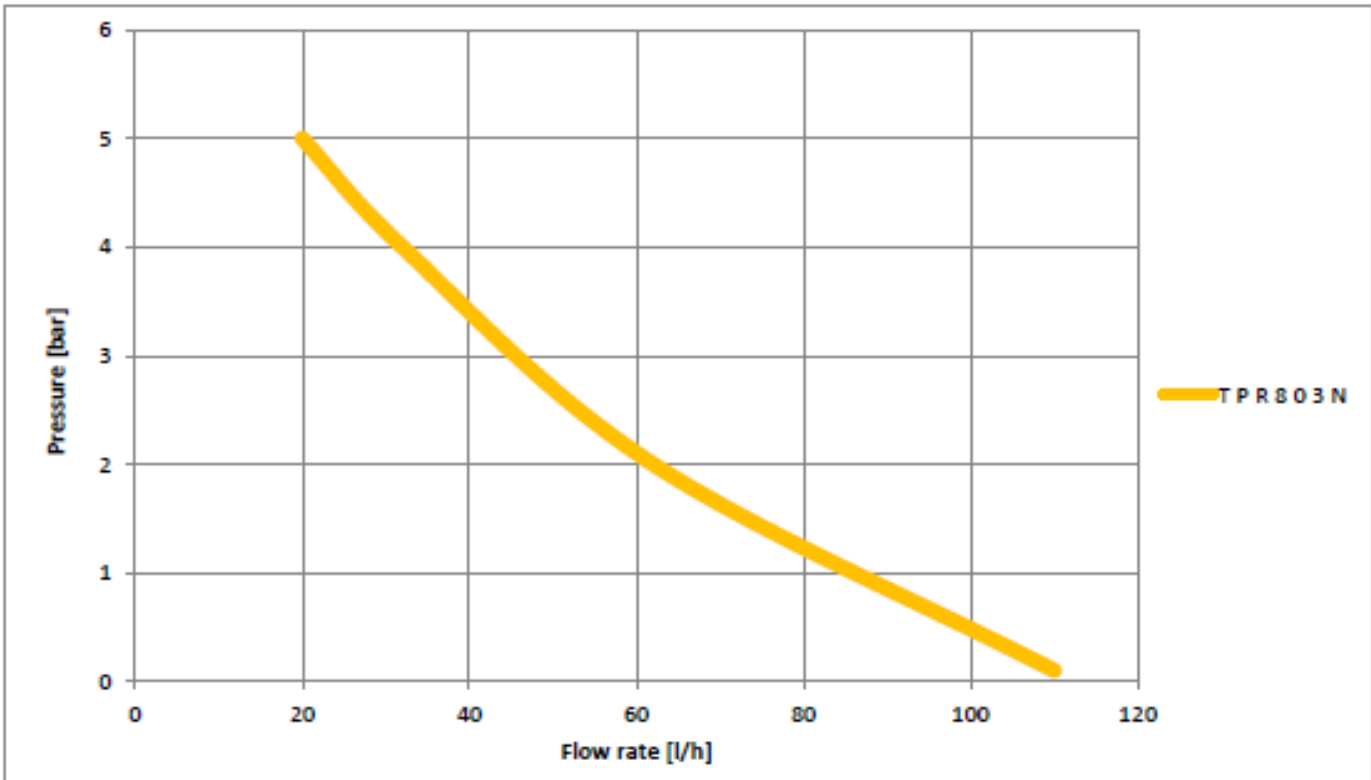
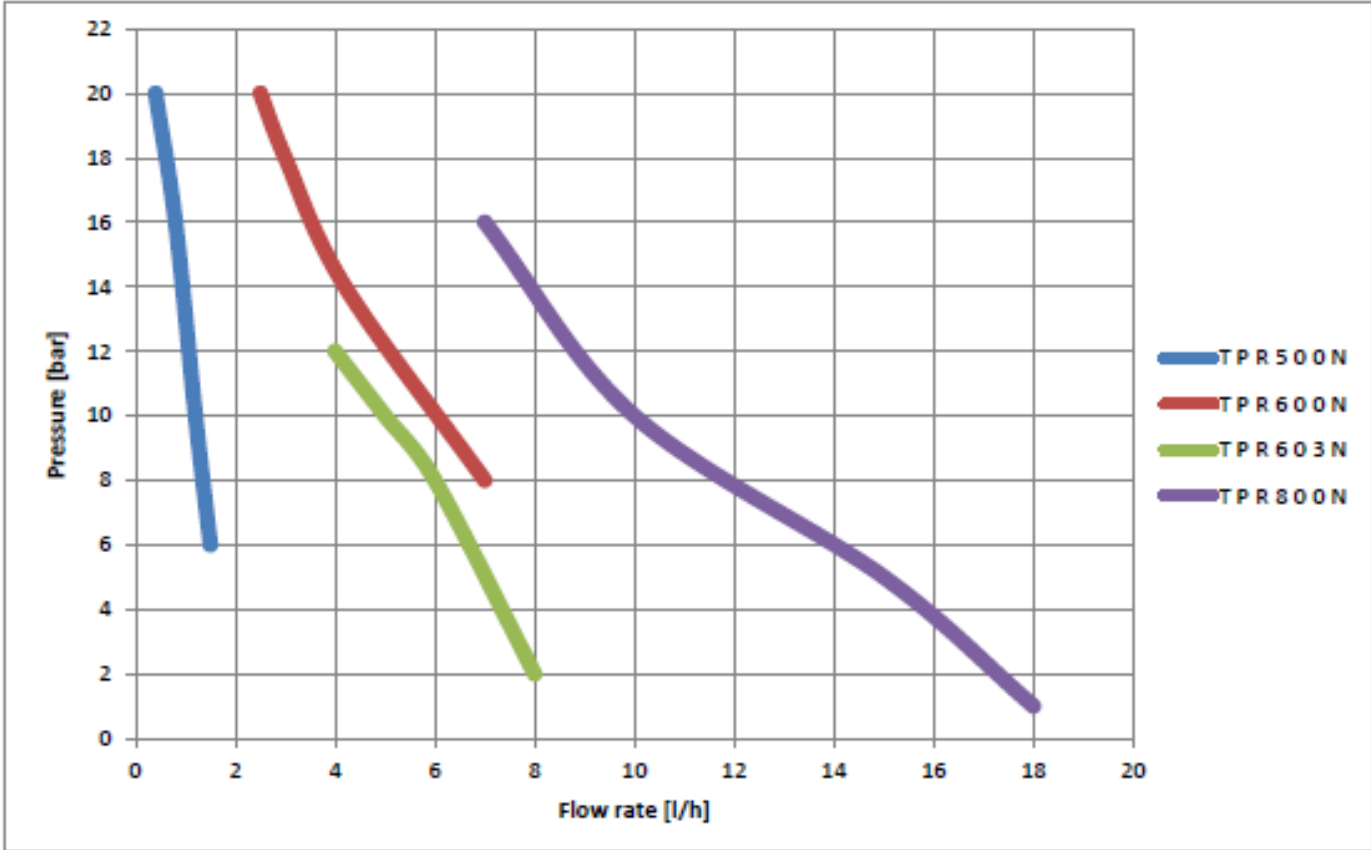
500 – 600 – 603 - 800

803



INSTALLATION KIT	PVDF	PVDF-T
foot filter	•	•
injection valve	•	•
PVC suction tube (4 m)	•	
PE delivery tube (2 m)	•	
Wall and base fixing bracket	•	

# PERFORMANCE CURVES





**+27 62 375 5088**



**+27 65 321 5803**



**<https://www.thewatersolarcompany.co.za/>**



**<https://maps.app.goo.gl/MBR2LMW3T6f9TtHV9>**



**<https://www.facebook.com/watersolarcompany>**



**<https://www.youtube.com/@TheWaterSolarCompany/>**



**<https://www.instagram.com/watersolarcompany2023/>**